



### Compressor Selection: Open-Type Reciprocating Compressors

#### Input Values

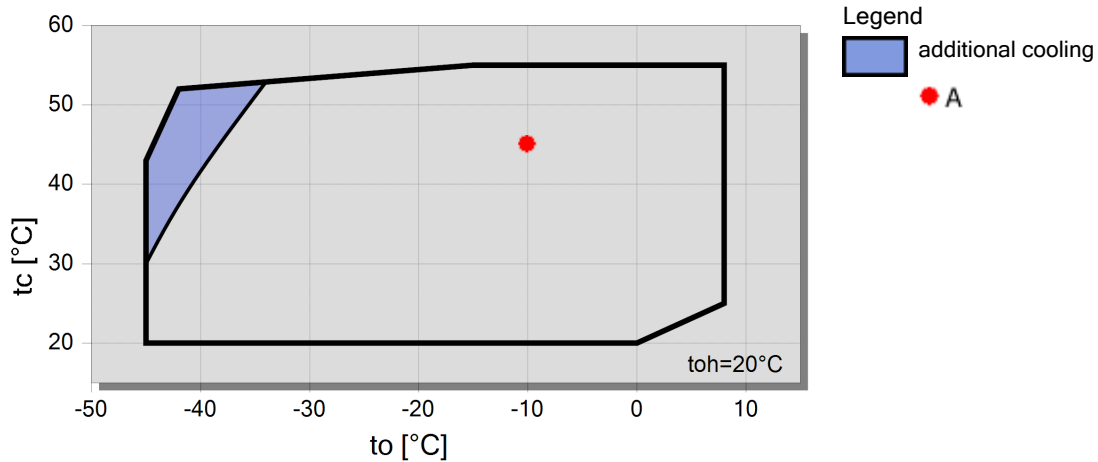
Compressor model	6H.2Y-K	Useful superheat	100%
Refrigerant	R404A	Motor speed	1450 /min
Reference temperature	Dew point temp.	Drive	Coupling (1:1)
Liq. subc. (in condenser)	0 K	Capacity Control	100%
Suction gas temperature	20,00 °C		

#### Result

		5°C	0°C	-5°C	-10°C	-15°C	-20°C	-25°C	-30°C
30°C	Q [W]	124016	104066	86763	71773	58821	47677	38138	30023
	Q* [W]	124016	104066	86763	71773	58821	47677	38138	30023
	P [kW]	22,8	22,4	21,6	20,5	19,05	17,44	15,68	13,86
	Qc [W]	146822	126475	108369	92236	77873	65113	53822	43887
	COP [-]	5,44	4,64	4,02	3,51	3,09	2,73	2,43	2,17
	COP* [-]	5,44	4,64	4,02	3,51	3,09	2,73	2,43	2,17
	m [kg/h]	3197	2645	2180	1785	1451	1168	929	727
	n [/min]	1450	1450	1450	1450	1450	1450	1450	1450
	40°C	Q [W]	107254	89984	74935	61843	50489	40684	32260
Q* [W]		107254	89984	74935	61843	50489	40684	32260	25067
P [kW]		26,6	25,7	24,4	22,8	20,9	18,86	16,74	14,61
Qc [W]		133898	115704	99338	84612	71386	59545	49000	39675
COP [-]		4,03	3,50	3,07	2,72	2,42	2,16	1,93	1,72
COP* [-]		4,03	3,50	3,07	2,72	2,42	2,16	1,93	1,72
m [kg/h]		3126	2581	2121	1731	1400	1119	882	681
n [/min]		1450	1450	1450	1450	1450	1450	1450	1450
50°C		Q [W]	89906	75446	62762	51664	41988	33591	26340
	Q* [W]	89906	75446	62762	51664	41988	33591	26340	20115
	P [kW]	30,7	29,2	27,4	25,3	23,1	20,7	18,20	15,81
	Qc [W]	120565	104679	90197	77013	65048	54241	44545	35922
	COP [-]	2,93	2,58	2,29	2,04	1,82	1,63	1,45	1,27
	COP* [-]	2,93	2,58	2,29	2,04	1,82	1,63	1,45	1,27
	m [kg/h]	3050	2513	2058	1673	1345	1066	830	629
	n [/min]	1450	1450	1450	1450	1450	1450	1450	1450

-- No calculation possible (see message in single point selection)  
 \*According to EN12900 (20°C suction gas temp., 0K liquid subcooling)

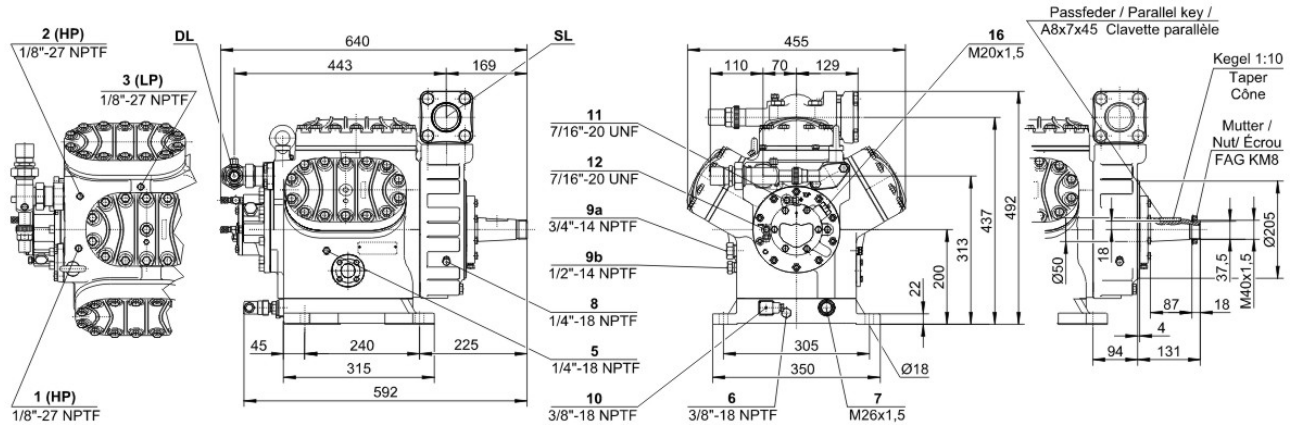
#### Application Limits Standard





## Technical Data: 6H.2Y-K

### Dimensions and Connections



### Technical Data

#### Technical Data

Displacement (1450 RPM 50Hz)	110,5 m3/h
Displacement (1750 RPM 60Hz)	133,4 m3/h
No. of cylinder x bore x stroke	6 x 70 mm x 55 mm
Allowed speed range	900 .. 1750 1/min
Weight	153 kg
Max. pressure (LP/HP)	19 / 25 bar
Connection suction line	54 mm - 2 1/8"
Connection discharge line	35 mm - 1 3/8"
Oil type R134a/R407C/R404A/R507A/R407A/R407F	tc<55°C: BSE32 / tc>55°C: BSE55 (Option)
Oil type R22 (R12/R502)	B5.2 (Standard)

#### Extent of delivery (Standard)

Oil charge	5,0 dm3
Protective charge	Standard
Suction shut-off valve	Standard
Discharge shut-off valve	Standard
Pressure relief valve	Standard

#### Available Options

Coupling (...K) w. A/C + medium	KK620 [<22kW] / KK630 [<45kW] (Option)
Coupling (...K) w. low temp.	KK625 [<22kW] / KK630 [<45kW] (Option)
Coupling housing	Option
Motor pulley (...S)	190, 210, 230 mm (Option)
V-belts	5 x SPA (Option)
Discharge gas temperature sensor	Option (incl. INT69VS)
Start unloading	Option
Connection cooling water	R 3/4" (Option)
Capacity control	100-66-33% (Option)
Additional fan	Option
Water-cooled cylinder heads	Option
Oil service valve	Option
Crankcase heater	140 W (Option)
Oil pressure monitoring	MP54 (Option)
Kit for marine application	Option